



LABORATORY EQUIPMENT ASSEMBLY SOLUTIONS

BUILDING TRUST



BONDING AND SEALING SOLUTIONS FOR LABORATORY EQUIPMENT

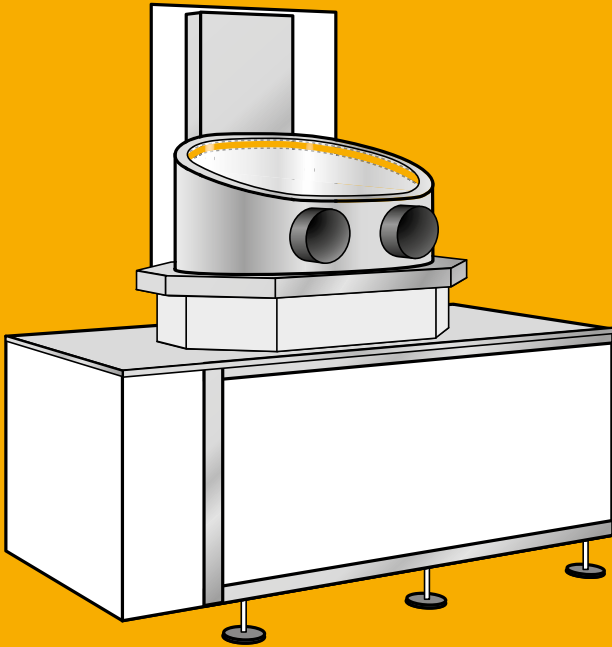
When high quality and precision have to be achieved, Sika's technologies provide the right answer. Our wide range of adhesive and sealant solutions meets the most demanding market requirements. Manufacturers of laboratory equipment use Sika solutions for bonding and sealing of metal doors and frames but also of safety glass, casted aluminum housing, ensuring reliability, durability and aesthetic appeal.

ADVANTAGES

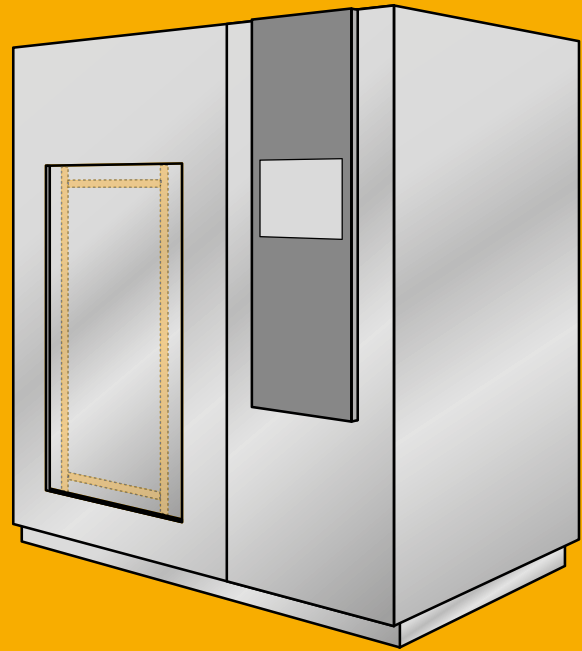
- Sealing and bonding in one step
- No unaesthetic mechanical fixtures
- Reduced assembly time
- No welding process and metal buckling
- Possible use of different metal qualities

PRODUCT FEATURES

- Structural bonding and sealing
- Suitable for a wide range of substrates
- Gap filling and short handling time with the 2-component technology of Sikaflex®-953 and SikaFast®-555
- UV-resistant: Sikasil® AS-70



Glass bonding to cast aluminum: **SikaFast®-555 L03**.
For UV-resistant applications, **Sikasil® AS-70** is advised.



Bonding of a stainless steel door to the frame: **Sikaflex®-552 AT**. For faster assemblies, **Sikaflex®-953** can be used.

SIKA SERVICES AG

Tueffenwies 16
CH-8048 Zurich
Phone: +41 (0) 58 436 40 40
Fax: +41 (0) 58 436 55 30
www.sika.com/appliances

Our most current General Sales Conditions shall apply.
Please consult the Data Sheet prior to any use and processing.



BUILDING TRUST

